

# TECHNICAL SPECIFICATION

## *Pipe Coupling Seal – MNC and MND*



**Product Description**



**Dimensional Details**



## PRODUCT DESCRIPTION

The pipe coupling is designed to guarantee a perfect seal between the filter wall and the blow tube or the linear connection between two pipes having the same diameter.

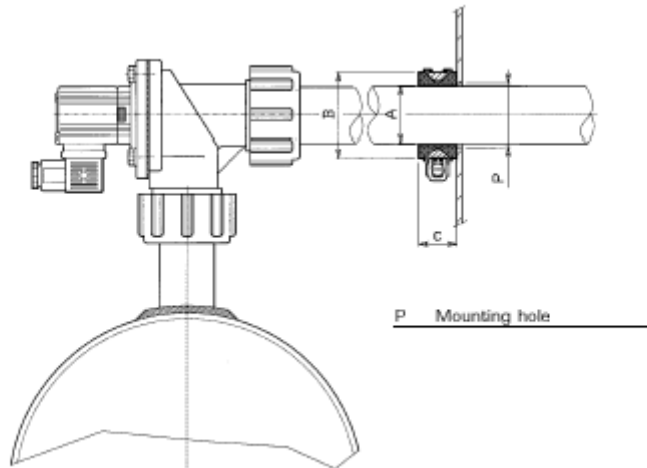
They allow an extremely quick assembling in the two following versions:

- MNC, single pipe coupling for one piece tubes
- MND, double pipe coupling for two piece tubes

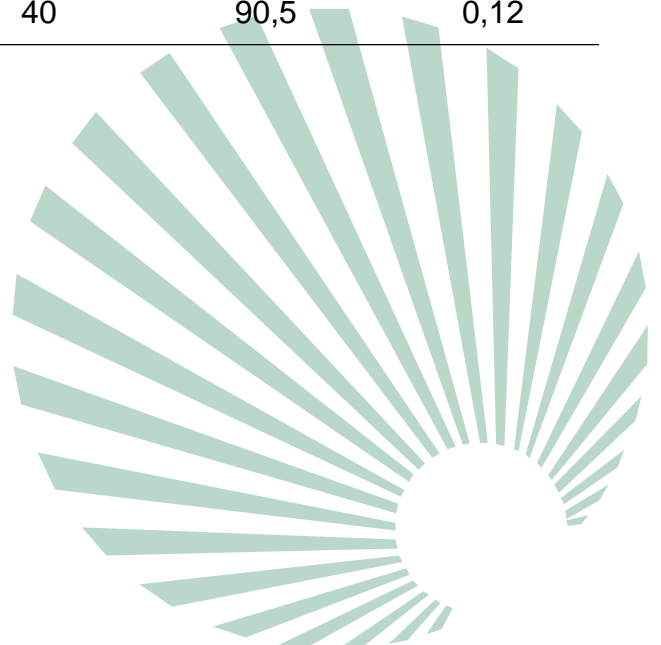


## DIMENSIONAL DETAILS

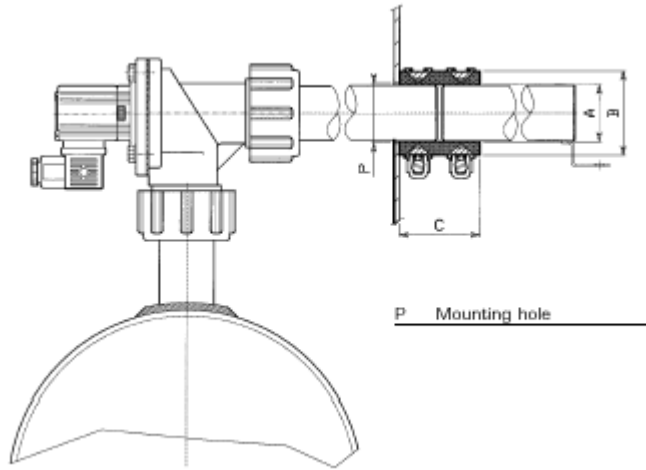
### MNC Single Pipe Coupling Layout



Type	AØ	BØ	C	PØ	Weight kg
MNC08	1"	50	25	35,0	0,07
MNC14	1 1/2"	65	25	49,5	0,09
MNC16	2"	77	32	61,5	0,10
MNC20	2 1/2"	95	36	77,5	0,11
MNC24	3"	108	40	90,5	0,12



## MNC Double Pipe Coupling Layout



Type	AØ	BØ	C	PØ	Weight kg
MND08	1"	50	60	35,0	0,15
MND14	1 1/2"	65	60	49,5	0,19
MND16	2"	77	68	61,5	0,21
MND20	2 1/2"	95	72	77,5	0,23
MND24	3"	108	80	90,5	0,25

