

# TECHNICAL SPECIFICATION

## *Stainless Steel Valves – 200 Series AISI316*



**Product Description**



**Features**



**Dimensional Details**



**Part Identification**



**How to Order**



## PRODUCT DESCRIPTION

The Stainless Steel, 200 Series is a range of diaphragm solenoid valves for the cleaning of dust collector filters with compressed air. The Stainless Steel 200 Series range includes two models of 1" and 1 1/2", both single diaphragm and threaded female gas connections. These valves are manufactured in Stainless Steel AISI 316. These type of diaphragm valves are suitable for installation in very corrosive environments such as in the chemical industry, in nuclear and off-shore plants. Their special "design" allows extremely fast opening times, high flow rates and easy assembly.

The 200 Series is available in the following versions:

- VXP, with integrated solenoid pilot
- VXM, with remote solenoid pilot in enclosure.



## FEATURES

### General Features

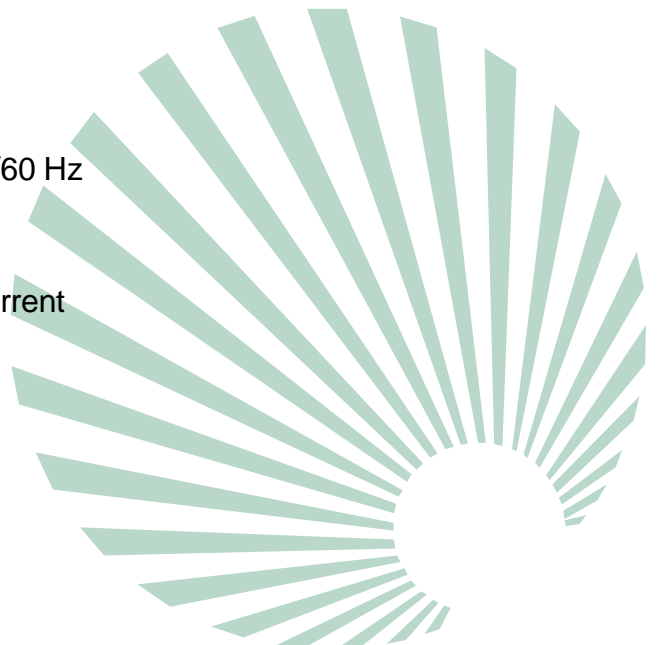
Fluids	Filtered and oil free air
Diaphragm	Standard: -20°C/+120°C Viton -30°C/+200°C Nitrite -40°C/+120°C
Operating pressure	From 0.5 to 7.5 bar

### Constructive Features

Cover	Stainless steel AISI 316
Body	Stainless steel AISI 316
Pilot	Stainless steel
Sealing	NBR
Bolts and screws	Stainless steel
Diaphragm disc	Stainless steel

### Electrical features

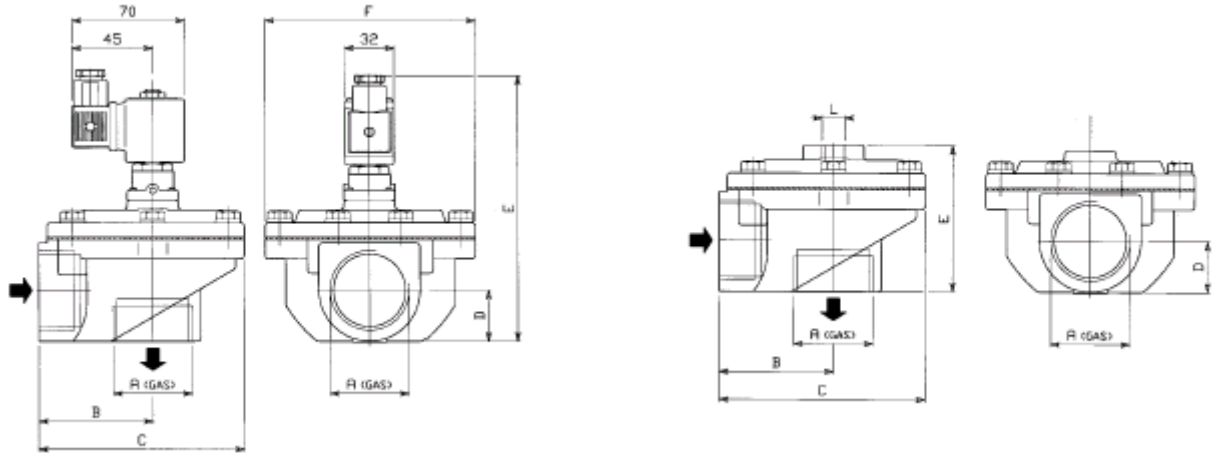
Coil insulation	Class H
Connector	Connection Pg9
connector specification	DIN 43650 - ISO 4400
Conector insulation class	VDE 0110 - 1/89
Electrical protection	IP65
Standard voltages	24 V AC - 50 Hz 24 V AC - 60 Hz 110/220 V AC - 50/60 Hz 24/110 V DC
Power consumption	19VA alternative current 15 W direct current



## DIMENSIONAL DETAILS

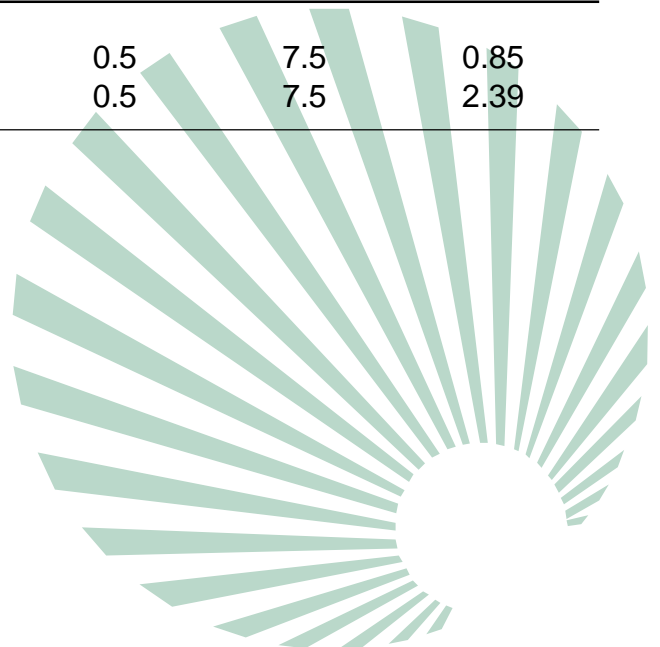
VXP 208 - 212

VXM 208 - 212



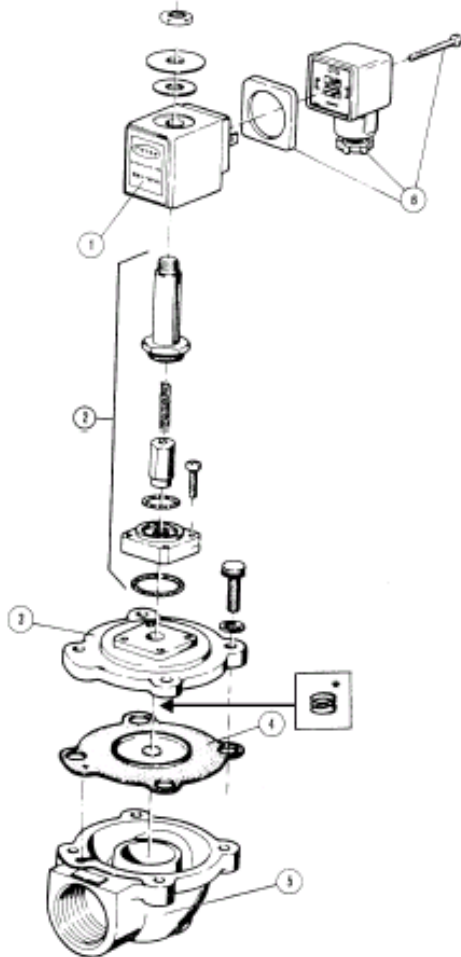
Type	A Ø	B	C	D	E	F	Weight kg
VXP208	1"	52	90	23	135	74	1.13
VXP212	1 1/2"	72	130	31	160	135	2.67

Type	E	L Ø	No. diaph.	Operating Pressure (bar)		Weight kg
				min	max	
VXM208	60	1/8"	1	0.5	7.5	0.85
VXM212	85	1/4"	1	0.5	7.5	2.39

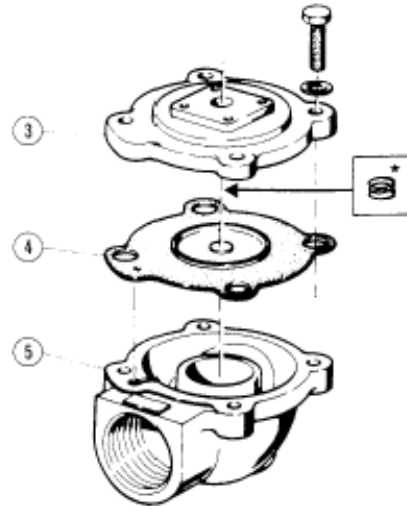


## PART IDENTIFICATION

### VXP 208 - 212



### VXM 208 - 212



Pos	Description parts	VXP 208	VXP212
1	Coil (*) (*Specify voltage and frequency (or DC)	SLB8- .../.. (*)	SLB8- .../.. (*)
2	Pilot group complete with anchor screws	ESL8V	ESL8V
3	Cover	M310090	M310096
4	Diaphragm	DB181	DB1121
5	Body	M300209	M310096
6	Connector DIN IP65	PLG9	PLG9
Pos	Description parts	VMP 208	VMP212
2-5	See VXP description	See above	See above

## HOW TO ORDER

### VXP 208 – 110/50

- VX – Diaphragm valve in AISI 316
- P – Integrated pilot
- or
- M – Remote pilot
- 2 – 200 Series
- 08 – Valve outlet diameter
- 08 = 1”
- 12 = 1 1/2”
- 110/50 – Voltage and frequency (specify for VEP models only):
- 24V AC – 50Hz
- 24V AC – 60Hz
- 110/220V AC – 50/60 Hz
- 24/110V DC

