

TECHNICAL SPECIFICATION

Diaphragm Valves – 200 Series



Product Description



Features



Performance



Dimensional Details



Part Identification



How to Order



PRODUCT DESCRIPTION

The 200 Series is a range of diaphragm solenoid valves for the cleaning of dust collector filters with compressed air. The range of 200 Series comprises 7 models, from 3/4" to 3", all with threaded female gas connections. The 1 1/2" model is available in the single and double diaphragm versions, while the 2", 2 1/2" and 3" are all double diaphragm valves. The special design assures an extremely fast opening time, high flow rates and easy installation. The valves are constructed in anodized die-cast aluminium, to protect them from corrosive and environmental agents. Bolts and screws are in stainless steel.

The 200 Series is available in the following versions:

- VEP, with integrated solenoid pilot
- VEM, with remote solenoid pilot in enclosure.



FEATURES

General Features

Fluids	Filtered and oil free air	
Diaphragm	Standard	-20°C/+120°C
	Viton	-30°C/+200°C
	Nitrite	-40°C/+120°C

Constructive Features

Cover	Die-cast aluminium
Body	Die-cast aluminium
Core	Stainless steel
Core spring	Stainless steel
Sealing	NBR
Bolts and screws	Stainless steel
Diaphragm disc	Stainless steel
Diaphragm spring	Stainless steel

Electrical features

Coil insulation	Class H
Connector	Connection Pg9
connector specification	DIN 43650 - ISO 4400
Conector insulation class	VDE 0110 - 1/89
Electrical protection	IP65
Standard voltages	24 V AC - 50 Hz
	24 V AC - 60 Hz
	110/220 V AC - 50/60 Hz
	24/110 V DC
Power consumption	19VA alternative current
	15 W direct current
Ambient temperature	-20°C/+60°C



PERFORMANCE

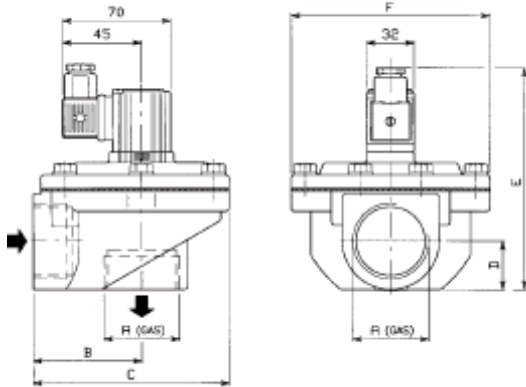
Type	Ø	No. diaph.	Operating Pressure (bar)		Weight kg	Coil	Kv	Cv
			min	max				
VEP206	3/4"	1	0.5	7.5	0.55	yes	10	11.6
VEP208	1"	1	0.5	7.5	0.65	yes	21	24.4
VEP212	1 1/2"	1	0.5	7.5	1.4	yes	37	43.0
VEP214	1 1/2"	2	0.5	7.5	1.5	yes	44	51.2
VEP216	2"	2	0.5	7.5	2.5	yes	78	90.7
VEP220	2 1/2"	2	0.6	7.5	3.3	yes	96	112
VEP224	3"	2	0.6	5	7.55	yes	308	358
VEM206	1/4"	1	0.5	7.5	0.25	no	10	11.6
VEM208	1"	1	0.5	7.5	0.35	no	21	24.4
VEM212*	1 1/2"	1	0.5	7.5	1.1	no	37	43.0
VEM214	1 1/2"	2	0.5	7.5	1.2	no	44	51.2
VEM216	2"	2	0.5	7.5	2.2	no	78	90.7
VEM220	2 1/2"	2	0.6	7.5	3	no	96	112
VEM224	3"	2	0.6	5	7.2	no	308	358

* available with Mecair explosion proof solinoid piolet only.

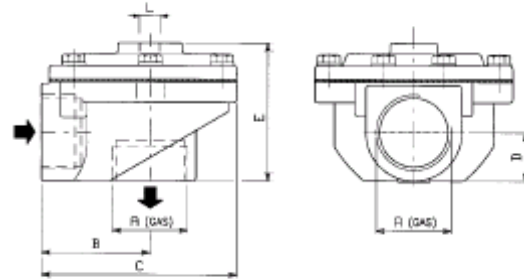


DIMENSIONAL DETAILS

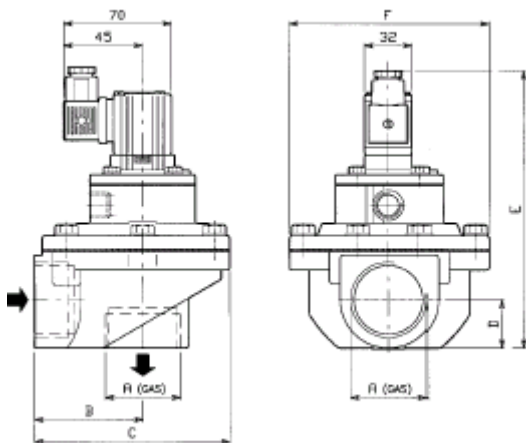
VEP 206 - 208 - 212



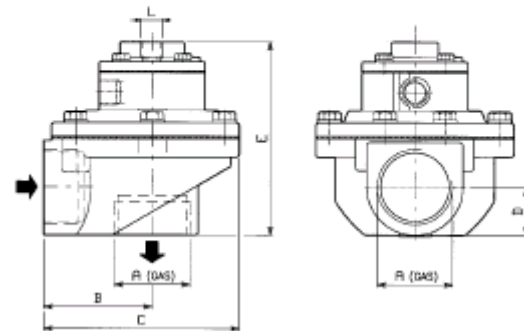
VEM 206 - 208 - 212



VEP 214 - 216 - 220 - 224



VEM 214 - 216 - 220 - 224



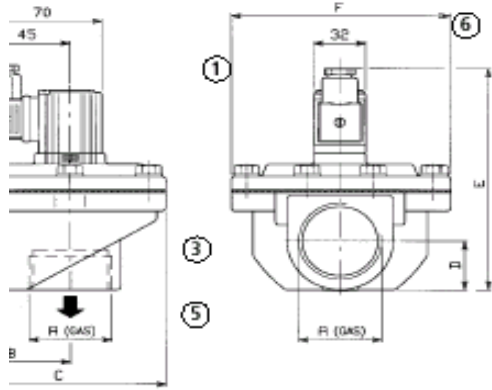
Type	A Ø	B	C	D	E	F	Weight kg
VEP206	3/4"	41	75	18	119	60	0.55
VEP208	1"	52	90	23	123	74	0.65
VEP212	1 1/2"	72	130	31	153	135	1.40
VEP214	1 1/2"	72	130	351	186	135	1.50
VEP216	2"	90	165	35	206	160	2.50
VEP220	2 1/2"	116	199	47	226	190	3.50
VEP224	3"	145	275	92	285	265	7.55

Type	E	L Ø	No. diaph.	Operating Pressure (bar)		Weight kg
				min	max	
VEM206	59	1/8"	1	0.5	7.5	0.25
VEM208	63	1/8"	1	0.5	7.5	0.35
VEM212	93	1/8"	1	0.5	7.5	1.10
VEM214	126	1/8"	2	0.5	7.5	1.20
VEM216	146	1/8"	2	0.5	7.5	2.20
VEM220	166	1/8"	2	0.6	7.5	3.00
VEM224	225	1/8"	2	0.6	5	7.55

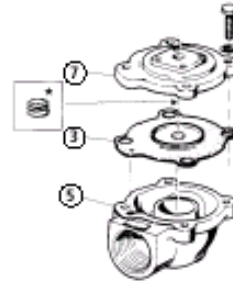


PART IDENTIFICATION

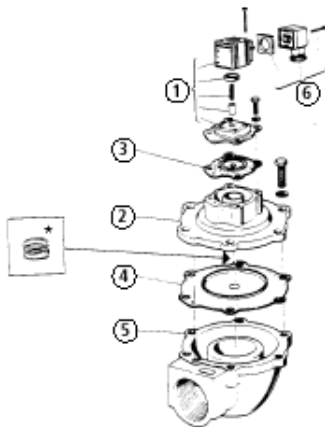
VEP 206 - 208 - 212



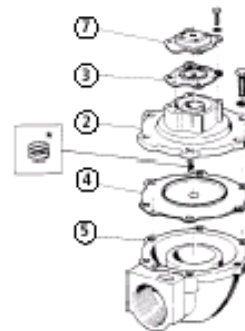
VEM 206 - 208 - 212



VEP 214 - 216 - 220 - 224



VEM 214 - 216 - 220 - 224



* Spring code M470568 only for VEM/VEP 212-214-216-220-224

Pos	Description parts	VEP206	VEP208	VEP212	VEP214	VEP216	VEP220	VEP224
1	Pilot group complete with coil (* cover and anchor screws. (* Specify voltage and frequency (or DC)	PDM06- .../.. (*	PDM08- .../.. (*	PDM12 .../.. (*	PDM06- .../.. (*	PDM06- .../.. (*	PDM08- .../.. (*	PDM08- .../.. (*
2	Intermediate cover (double diaphragm)	-	-	-	M310098	M3100100	M3100101	M3100197
3	Diaphragm	DB16	DB18	DB112	DB16	DB16	DB16	DB18
4	Diaphragm	-	-	-	DB114	DB116	DB120	DB124
5	Body	M300201	M300204	M300211	M300211	M300218	M300222	VM300237
6	Connector DIN IP65	PLG9	PLG9	PLG9	PLG9	PLG9	PLG9	PLG9
Pos	Description parts	VEM206	VEM208	VEM212	VEM214	VEM216	VEM220	VEM224
8	Top cover	M310086	M310086	M310092	M310082	M310082	M310082	M310086
2-7	See VEP description	See above	See above	See above	See above	See above	See above	See above

HOW TO ORDER

VEP 208 – 110/50

VE	–	Diaphragm valve
P	–	Integrated pilot
or		
M	–	Remote pilot
2	–	200 Series
08	–	Valve connection diameter
		06 = 3/4"
		08 = 1"
		12 = 1 1/2" (single diaphragm)
		14 = 1 1/2" (double diaphragm)
		16 = 2"
		20 = 2 1/2"
		24 = 3"
110/50	–	Voltage and frequency (specify for VEP models only):
		24V AC – 50Hz
		24V AC – 60Hz
		110/220V AC – 50/60 Hz
		24/110V DC

